

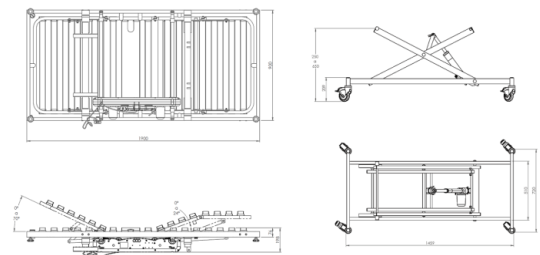
# LETTI MODULARI MODULAR BEDS

# SERIE LUNA

WITH TREND AND ANTI-TREND

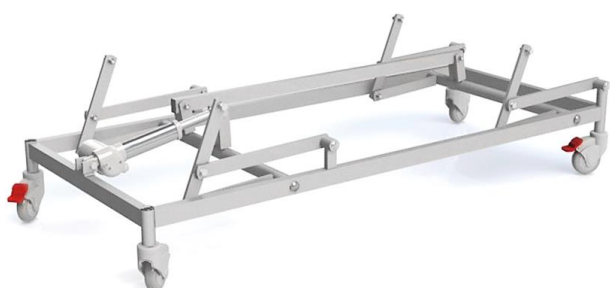


REF.	CM.106067.P	CM.106068.P	AC.101141.P
Description	Tripartite Electric Platform bed, for scissor lifting system	Electric lifting system, scissor type, bed	Headboards and siderails set wavy model
Material Article	Steel Structure Epoxy Finishing, Wooden Slats	Structure Epoxy Finishing	Headboards with melamine panel and wooden edge. Siderails in MDF
Total bed dimensions	1900x900mm		
Maximum patient weight	135kg		
Dimensions Article	1970x1060x(390-850)mm		
Net Weight	106kg		
Gross Weight	Total: 111kg		
	Platform Bed : 46kg Trolley:27kg Headboard Set : 23kg / Siderails : 15kg		
Gross Volume	Total: 0,8m <sup>3</sup>		
	Platform Bed : 0,384m <sup>3</sup> Trolley : 0,252m <sup>3</sup> Headboard Set : 0,125m <sup>3</sup> Siderails : 0,041m <sup>3</sup>		

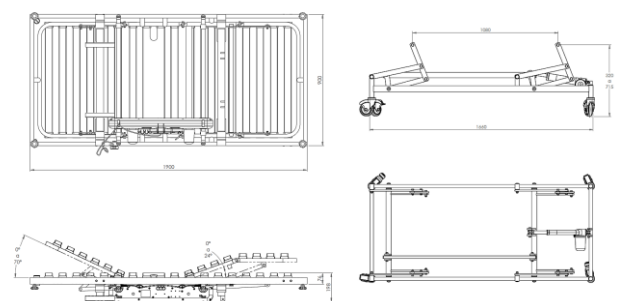


# LETTI MODULARI MODULAR BEDS

# SERIE CLASSIC

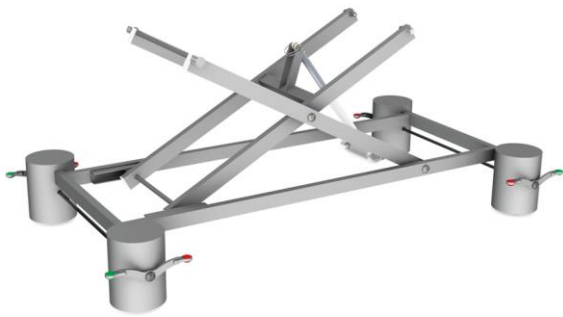


REF.	CM.106079	CM.106071	AC.101141
Description	Tripartite electric platform bed for lifting system bed	Electric lifting system for bed	Headboards and siderails set wavy model
Material Article	Steel Structure Epoxy Finishing, Wooden Slats	Steel Structure Epoxy Finishing	Headboards with melamine panel and wooden edge. Siderails in MDF
Total bed dimensions	1900x900mm		
Maximum patient weight	135kg		
Dimensions Article	1960x1060x(410-790)mm		
Net Weight	115kg		
Gross Weight	Total : 119kg		
	Platform Bed : 46kg Trolley : 35kg Headboard Set : 23kg Siderails : 15kg		
Gross Volume	Total / : 1m <sup>3</sup>		
	Platform Bed : 0,384m <sup>3</sup> Trolley: 0,475m <sup>3</sup> Headboard Set : 0,125m <sup>3</sup> Siderails : 0,041m <sup>3</sup>		

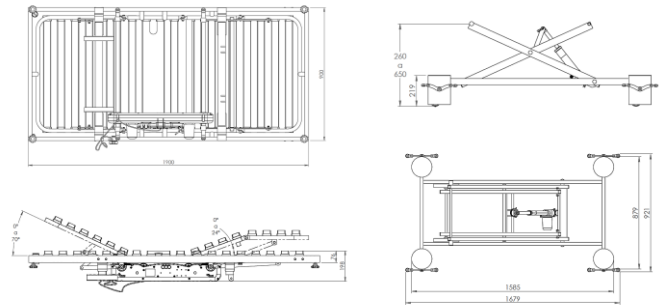


# LETTI MODULARI MODULAR BEDS

# SERIE CLASSIC



REF.	CM.106067	CM.106068.R	AC.101141
Description	Tripartite Electric Platform bed, for scissor lifting system	Electric lifting system, scissor type, with hidden Double Wheel	Headboards and siderails set wavy model
Material Article	Steel Structure Epoxy Finishing, Wooden Slats /	Steel Structure Epoxy Finishing	Headboards with melamine panel and wooden edge. Siderails in MDF
Total bed dimensions	1900x900mm		
Maximum patient weight	135kg		
Dimensions Article	1970x1060x(420-825)mm		
Net Weight	117kg		
Gross Weight	Total: 123kg		
	Platform Bed : 46kg Trolley: 39kg		
	Headboard Set : 23kg Siderails : 15kg		
Gross Volume	Total: 1m <sup>3</sup>		
	Platform Bed : 0,384m <sup>3</sup> / Trolley : 0,458m <sup>3</sup>		
	Headboard Set : 0,125m <sup>3</sup> / Siderails : 0,041m <sup>3</sup>		

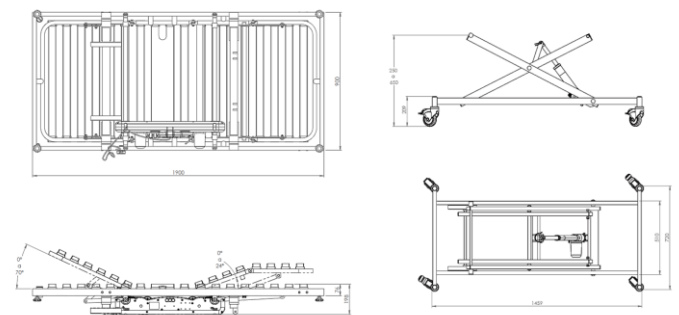


# LETTI MODULARI MODULAR BEDS

# SERIE CLASSIC



REF.	CM.106067	CM.106068	AC.101141
Description	Tripartite Electric Platform bed, for scissor lifting system	Electric lifting system, scissor type, bed	Headboards and siderails set wavy model
Material Article	Steel Structure Epoxy Finishing, Wooden Slats	Structure Epoxy Finishing	Headboards with melamine panel and wooden edge. Siderails in MDF
Total bed dimensions	1900x900mm		
Maximum patient weight	135kg		
Dimensions Article	1970x1060x(390-850)mm		
Net Weight	106kg		
Gross Weight	Total: 111kg		
	Platform Bed : 46kg Trolley: 27kg		
	Headboard Set : 23kg / Siderails : 15kg		
Gross Volume	Total: 0,8m <sup>3</sup>		
	Platform Bed : 0,384m <sup>3</sup> Trolley : 0,252m <sup>3</sup>		
	Headboard Set : 0,125m <sup>3</sup> Siderails : 0,041m <sup>3</sup>		

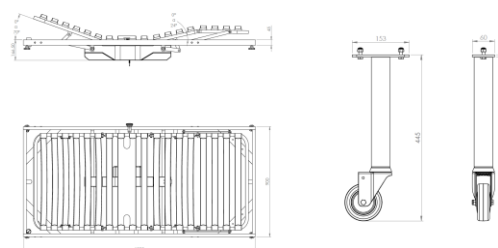


# LETTI MODULARI MODULAR BEDS

# SERIE CLASSIC



REF.	CM.106045	AC.101072	AC.101141
Description	Electric Tripartite Platform bed	Fixed feet with wheels	Headboards and siderails set wavy
Material Article	Steel Structure Epoxy Finishing, Wooden Slats	Epoxy Steel Structure	Headboards with melamine panel and wooden edge. Siderails in MDF
Total bed dimensions	1900x900mm		
Maximum patient weight	135kg		
Dimensions Article	1960x1020x500mm		
Net Weight	87kg		
Gross Weight	Total: 90kg		
	Platform Bed : 44kg Feet : 8kg		
	Headboard Set : 23kg Siderails : 15kg		
Gross Volume	Total: 0,574m <sup>3</sup>		
	Platform Bed : 0,384m <sup>3</sup> Feet : 0,024m <sup>3</sup>		
	Headboard Set : 0,125m <sup>3</sup> Siderails : 0,041m <sup>3</sup>		

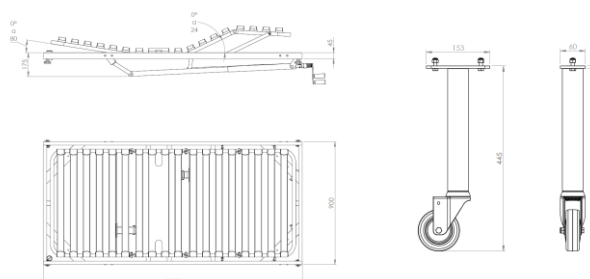


# LETTI MODULARI MODULAR BEDS

# SERIE CLASSIC



REF.	CM.106044	AC.101072	AC.101044.1
Description	Manual Tripartite Platform bed	Fixed feet with wheels	Headboards and Siderails
Material Article	Steel Structure Epoxy Finishing, Wooden Slats	Epoxy Steel Structure Epoxy Finishing	Headboards with melamine panel and wooden edge. Siderails in wood
Total bed dimensions	1900x900mm		
Maximum patient weight	135kg		
Dimensions Article	1960x1020x500mm		
Net Weight	81kg		
Gross Weight	Total: 84kg		
	Platform Bed : 44kg Feet : 8kg		
	Headboard Set : 17kg / Siderails : 15kg		
Gross Volume	Total: 0,572m <sup>3</sup>		
	Platform Bed : 0,384m <sup>3</sup> Feet : 0,024m <sup>3</sup>		
	Headboard Set : 0,125m <sup>3</sup> / Siderails : 0,039m <sup>3</sup>		



# LETTI MODULARI MODULAR BEDS

# SERIE CLASSIC



REF.	CM.106065
Description	Electric Bed Tripartite Slats, Beech Structure and Side rails
Material Article	Structure in beech wood, platform bed with steel structure Epoxy finishing and wooden Slats
Total bed dimensions	1900x900mm
Maximum patient weight	135kg
Dimensions Article	2020x1020x500mm
Net Weight	72kg
Gross Weight	Total: 74kg Platform Bed : 43kg Headboard Set : 20kg Girders and Siderails : 11kg
Gross Volume	Total: 0,634m <sup>3</sup> Platform Bed : 0,384m <sup>3</sup> Headboard Sets: 0,209m <sup>3</sup> Girders and siderails: 0,041m <sup>3</sup>



REF.	CM.106066
Description	Manual Bed Tripartite Slats, Wooden Structure and Side rails
Material Article	Structure in beech wood, platform bed with steel structure Epoxy finishing and wooden Slats
Total bed dimensions	1900x900mm
Maximum patient weight	135kg
Dimensions Article	2020x1020x500mm
Net Weight	66kg
Gross Weight	Total: 70kg Platform : Headboard Set: 20kg Girders and Siderails: 11kg
Gross Volume	Total: 0,634m <sup>3</sup> Platform Bed : 0,384m <sup>3</sup> Headboard Set : 0,209m <sup>3</sup> Girders and Siderails : 0,041m <sup>3</sup>

# LETTI MODULARI MODULAR BEDS

# SERIE CLASSIC



REF.	CM.106028
Description	Tripartite Electric Bed (Slats) beech structure without wheels
Material Article	Structure in beech wood, platform bed with steel structure Epoxy finishing and wooden Slats
Total bed dimensions	1900x900mm
Maximum patient weight	135kg
Dimensions Article	2020x960x500mm
Net Weight	60kg
Gross Weight	Total: 63kg Platform Bed : 45kg Headboard Set / : 15kg Girders : 3kg
Gross Volume	Total: 0,634m <sup>3</sup> Platform Bed : 0,384m <sup>3</sup> Headboard Set : 0,209m <sup>3</sup> Girders : 0,041m <sup>3</sup>



REF.	CM.106029
Description	Tripartite manual Bed (Slats) beech structure without wheels
Material Article	Structure in beech wood, platform bed with steel structure Epoxy finishing and wooden Slats
Total bed dimensions	1900x900mm
Maximum patient weight	135kg
Dimensions Article	2020x960x500mm
Net Weight	55kg
Gross Weight	Total: 58kg Platform Bed : 40kg / Headboard Set : 15kg Girders : 3kg
Gross Volume	Total: 0,634m <sup>3</sup> Platform Bed : 0,384m <sup>3</sup> Headboard Set : 0,209m <sup>3</sup> Girders : 0,041m <sup>3</sup>



# LETTI MODULARI MODULAR BEDS

# SERIE CLASSIC



REF.	CM.106060
Description	Bipartite bed (steel bed and thermo-laminated w / spindle and 4 wheels)
Material Article	Steel Structure Epoxy Finish, Headboard Rim in Steel Epoxy Finishing with Melamine Beech Panel
Total bed dimensions	1900x900mm
Maximum patient weight	135kg
Dimensions Article	2030x970x500mm
Net Weight	54kg
Gross Weight	56kg
Gross Volume	0,384m <sup>3</sup>



REF.	CM.106050	6050.A.2383
Description	Simple bed with 4 end caps	Simple Bed with 4 wheels, 2 with brake
Material Article	Steel Structure and mesh bed Epoxy finishing, headboards in melamine beech	
Total bed dimensions	1900x900mm	
Maximum patient weight	135kg	
Dimensions Article	2040x930x510mm	
Net Weight	33kg	34,5kg
Gross Weight	34kg	35,5kg
Gross Volume	0,384m <sup>3</sup>	

# LETTI MODULARI MODULAR BEDS

# SERIE CLASSIC



REF.	CM.106070
Description	Simple Bed (Iron Headboard, with 4 end caps)
Material Article	Steel Structure and mesh bed Epoxy finishing Structure en acier et lit en maille Finition époxy
Total bed dimensions	1900x900mm
Maximum patient weight	135kg
Dimensions Article	2040x930x510mm
Net Weight	64kg
Gross Weight	66kg
Gross Volume	0,344m <sup>3</sup>



REF.	CM.106090	CM.106095
Description	Double Children Bunk Full Headboard	Double Bunk Individual
Material Article	Steel Structure and mesh beds Epoxy finishing Structure en acier et lits en maille Finition époxy	
Total bed dimensions	1900x900mm	
Maximum patient weight	135kg	
Dimensions Article	1600x600x1115mm	1900x750x1700mm
Net Weight	28kg	36kg
Gross Weight	29kg	37kg
Gross Volume	0,384m <sup>3</sup>	